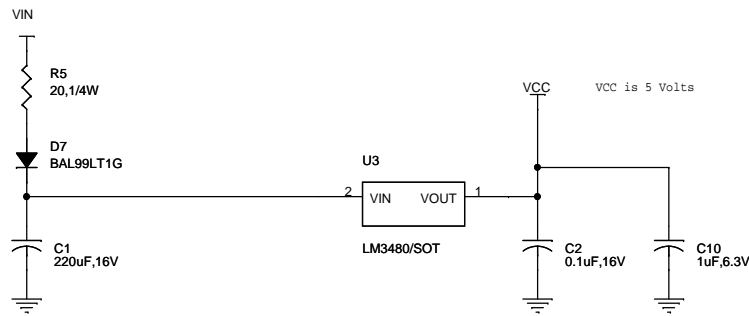
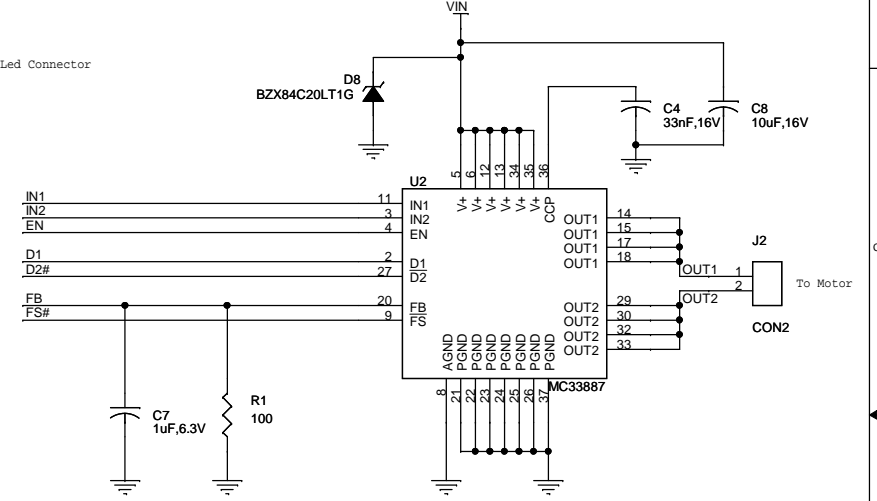
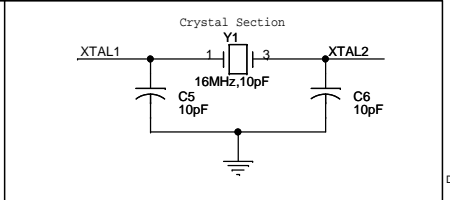
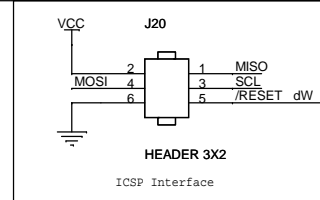
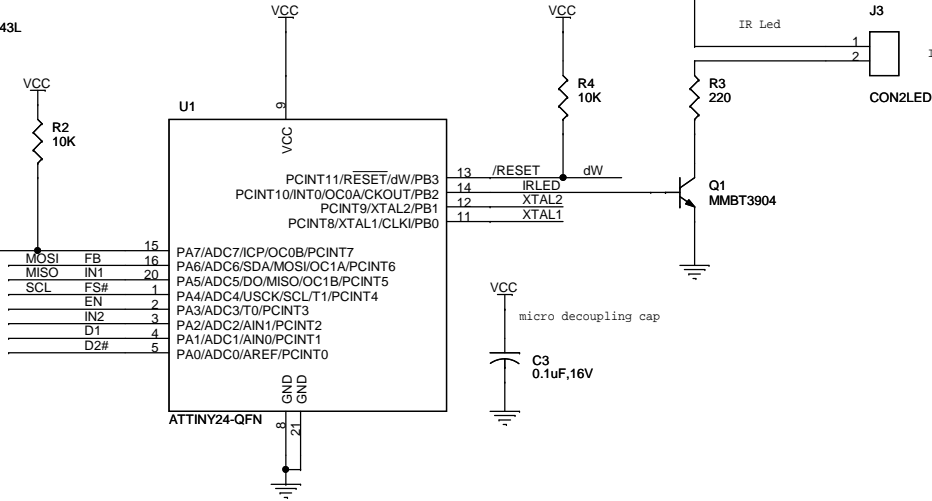
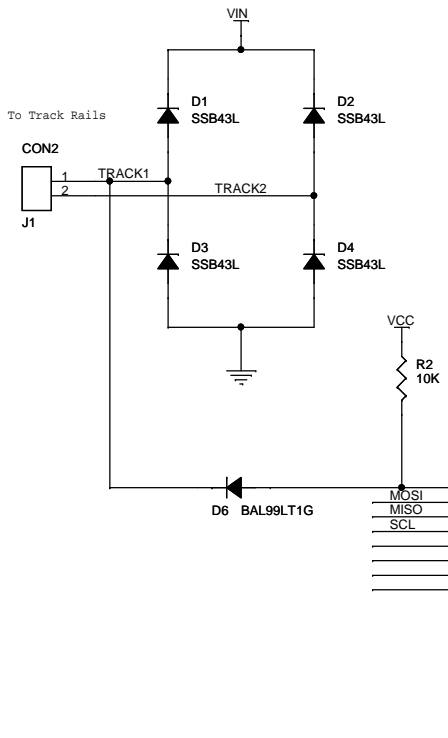


VIN is the rail voltage less one diode drop. (8-16V)



|                            |                              |              |
|----------------------------|------------------------------|--------------|
| Title                      |                              |              |
| openDSC.com in Car Decoder |                              |              |
| Size                       | Document Number              | Rev          |
| B                          | 2                            | B            |
| Date:                      | Wednesday, December 31, 2008 | Sheet 1 of 1 |